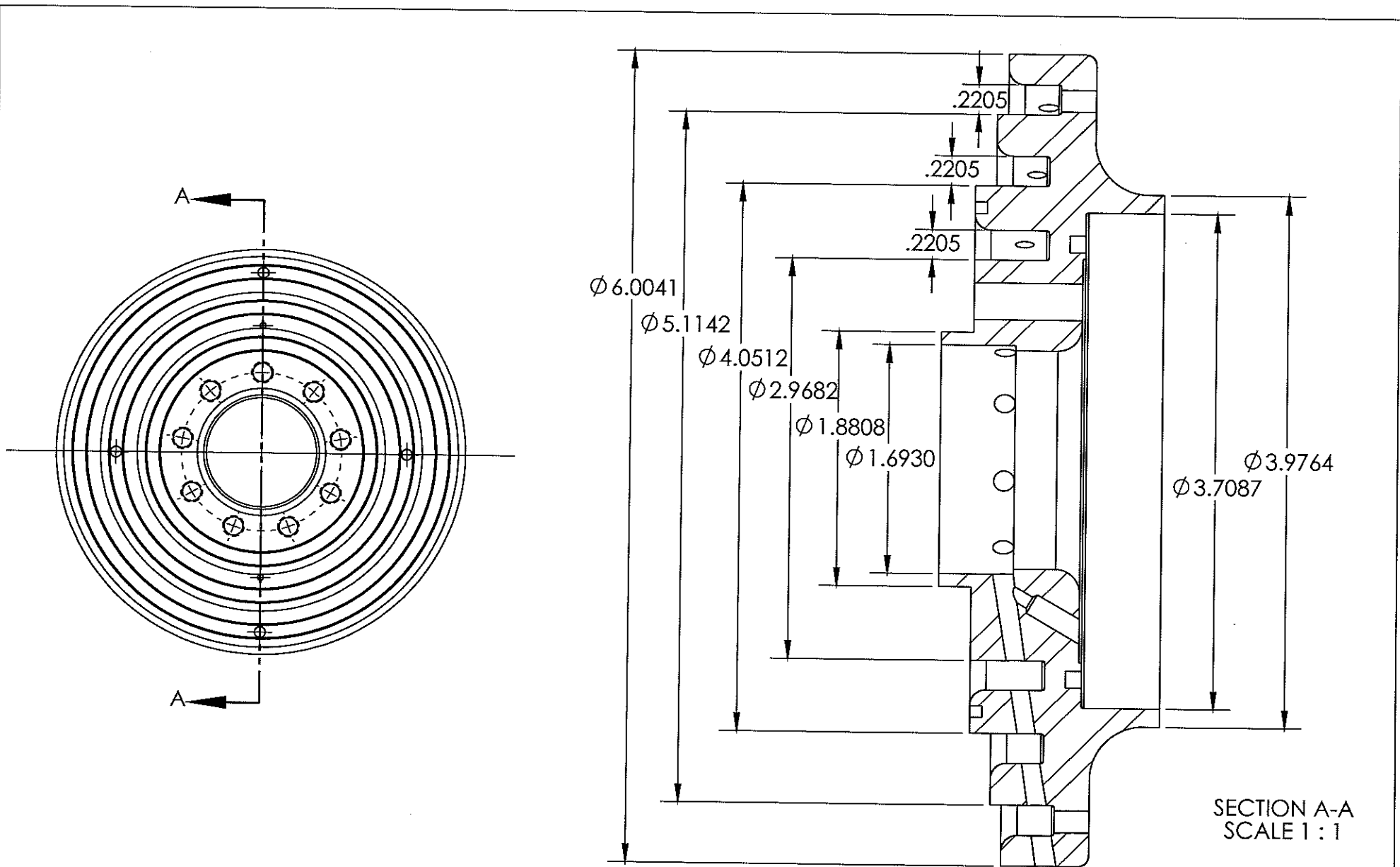
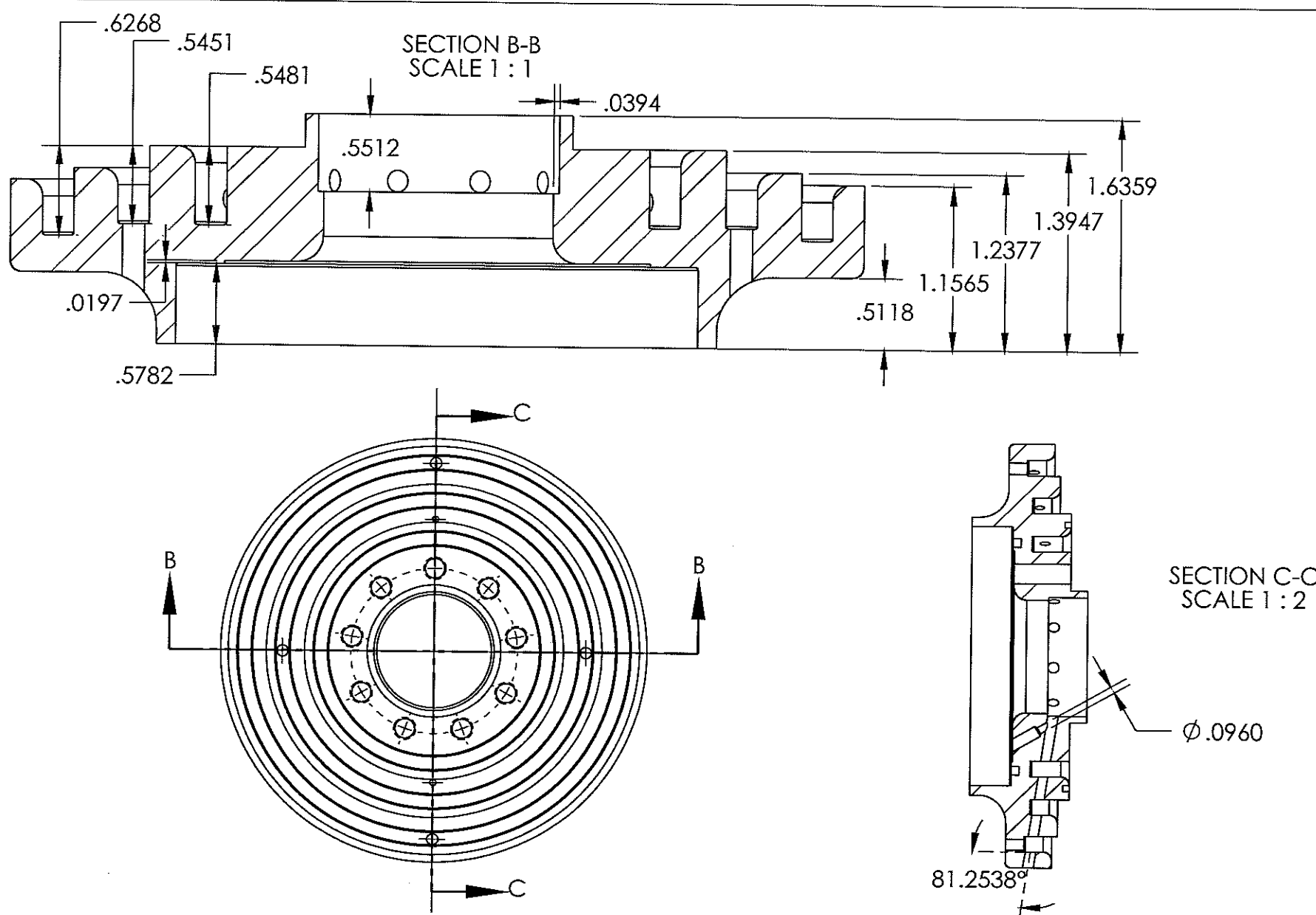


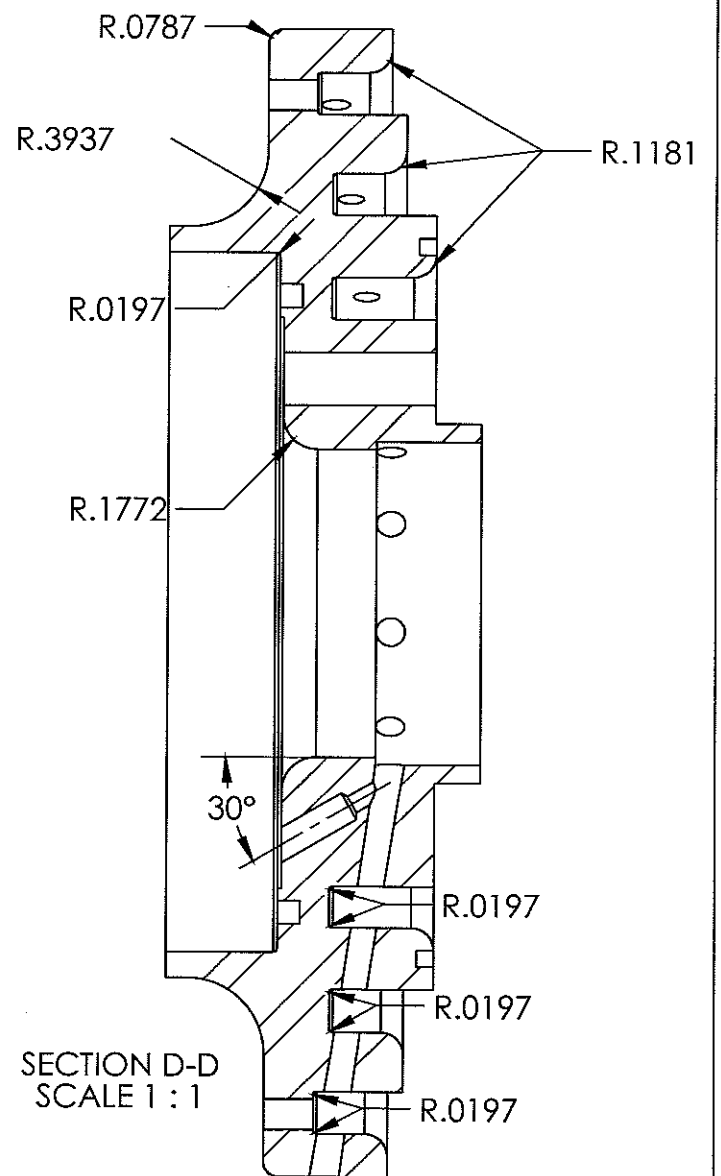
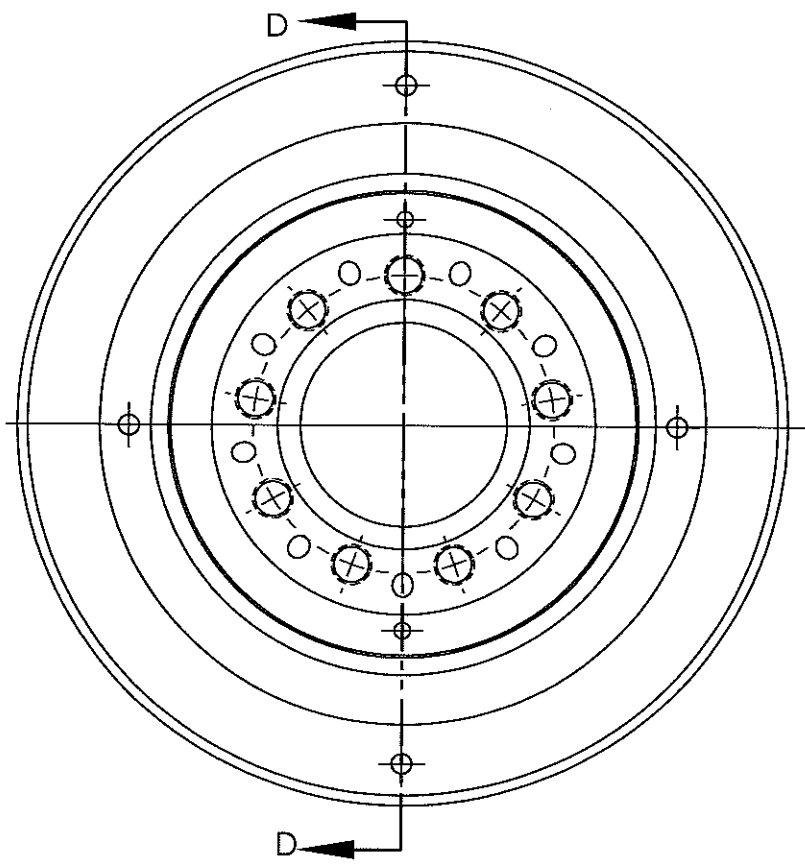
PROPRIETARY AND CONFIDENTIAL THE INFORMATION CONTAINED IN THIS DRAWING IS THE SOLE PROPERTY OF UNIVERSITY OF IDAHO, ME DEPARTMENT. ANY REPRODUCTION IN PART OR AS A WHOLE WITHOUT THE WRITTEN PERMISSION OF UNIVERSITY OF IDAHO, ME DEPARTMENT IS PROHIBITED.		DIMENSIONS ARE IN INCHES THIRD ANGLE PROJECTION		Mini Project	
MATERIAL: Alloy Steel		DESCRIPTION: Circular rotary engine piece		UNIVERSITY OF IDAHO ME DEPARTMENT	
DEFAULT TOLERANCES: LINEAR: X \pm .25 X.X \pm .1 X.XX \pm .01 X.XXX \pm .002		ANGULAR: X \pm 2 X.X \pm 1 X.XX \pm 0.30'		CHECKED BY: Kaitlin Tabaracci DATE: 3/6/2019	
DRAWN BY: Anthony DeSantis FILENAME: Mini Project.SLDPRT		DATE: 3/6/2019		PART #: 01-01 QTY: 1 SCALE: 1:4 SHEET: 1 OF 4	



PROPRIETARY AND CONFIDENTIAL THE INFORMATION CONTAINED IN THIS DRAWING IS THE SOLE PROPERTY OF UNIVERSITY OF IDAHO, ME DEPARTMENT. ANY REPRODUCTION IN PART OR AS A WHOLE WITHOUT THE WRITTEN PERMISSION OF UNIVERSITY OF IDAHO, ME DEPARTMENT IS PROHIBITED.		DIMENSIONS ARE IN INCHES THIRD ANGLE PROJECTION		Mini Project	
DEFAULT TOLERANCES: LINEAR: X. $\pm .25$ XX. $\pm .1$ XXX. $\pm .01$ XXXX. $\pm .002$		DESCRIPTION: Circular rotary engine piece CHECKED BY: Kaitlin Tabaracci DRAWN BY: Anthony DeSantis FILE NAME: Mini Project.SLDPR		MATERIAL: Alloy Steel DATE: 3/6/2019 DATE: 3/6/2019	
UNIVERSITY OF IDAHO ME DEPARTMENT		PART #: 01-01 SCALE: 1:4		QTY: 1 SHEET: 2 OF 4	



PROPRIETARY AND CONFIDENTIAL THE INFORMATION CONTAINED IN THIS DRAWING IS THE SOLE PROPERTY OF UNIVERSITY OF IDAHO, ME DEPARTMENT. ANY REPRODUCTION IN PART OR AS A WHOLE WITHOUT THE WRITTEN PERMISSION OF UNIVERSITY OF IDAHO, ME DEPARTMENT IS PROHIBITED.		DIMENSIONS ARE IN INCHES THIRD ANGLE PROJECTION		Mini Project	
DEFAULT TOLERANCES: LINEAR: X ± .25 XX ± .1 XXX ± .01 XXXX ± .002		ANGLAR: X ± 2 XX ± 1 XXX ± 0.30		MATERIAL: Alloy Steel	
DESCRIPTION: Circular rotary engine piece		CHECKED BY: Kaitlin Tabaracci		DATE: 3/6/2019	
DRAWN BY: Anthony DeSantis		DATE: 3/6/2019		PART #: 01-01	
FILE NAME: Mini Project.SLDPRT		SCALE: 1:4		CITY: 1 SHEET: 3 OF 4	
UNIVERSITY OF IDAHO ME DEPARTMENT				CITY: 1	



PROPRIETARY AND CONFIDENTIAL THE INFORMATION CONTAINED IN THIS DRAWING IS THE SOLE PROPERTY OF UNIVERSITY OF IDAHO, ME DEPARTMENT. ANY REPRODUCTION IN PART OR AS A WHOLE WITHOUT THE WRITTEN PERMISSION OF UNIVERSITY OF IDAHO, ME DEPARTMENT IS PROHIBITED.		DIMENSIONS ARE IN INCHES THIRD ANGLE PROJECTION		Mini Project	
DEFAULT TOLERANCES: LINEAR: X.±.25 XX±.1 XXX±.01 XXXX±.002		DESCRIPTION: Circular rotary engine piece CHECKED BY: Kaitlin Tabaracci DRAWN BY: Anthony DeSantis FILE NAME: Mini Project.SLDprt		MATERIAL: Alloy Steel DATE: 3/6/2019 DATE: 3/6/2019	
		UNIVERSITY OF IDAHO ME DEPARTMENT		PART #: 01-01 QTY: 1 SCALE: 1:4 SHEET: 4 OF 4	