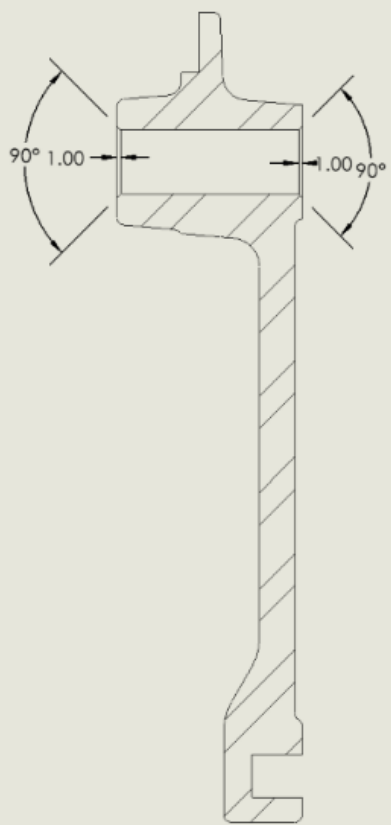
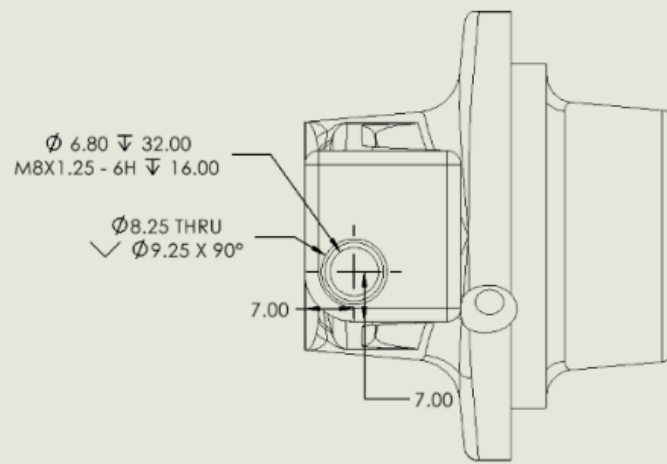


All unmarked fillets 2mm

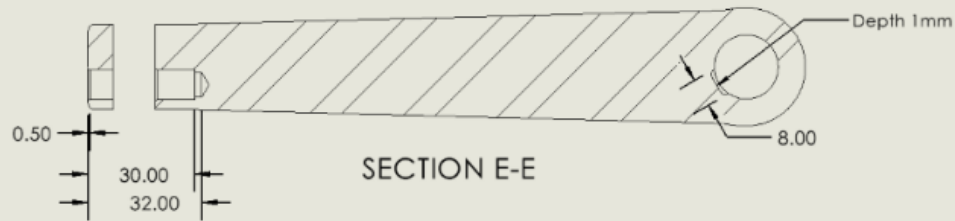
ITEM NO.	PART NUMBER	DESCRIPTION	QTY.
1	Mini Project	Tractor kick start lever	1



SECTION B-B



VIEW D-D
SCALE 1 : 1



SECTION E-E

