

DIMENSIONS ARE IN INCHES

THIRD ANGLE PROJECTION

DESCRIPTION: 2006 YZ0504 Piston

CREATED BY: Ben Reed DATE: 3/4/10

DESIGNED BY: Zack W. Ashbach DATE: 2/23/10

CLASSIFICATION: Part #: 1-01

FILE NAME: Scale: 1-1

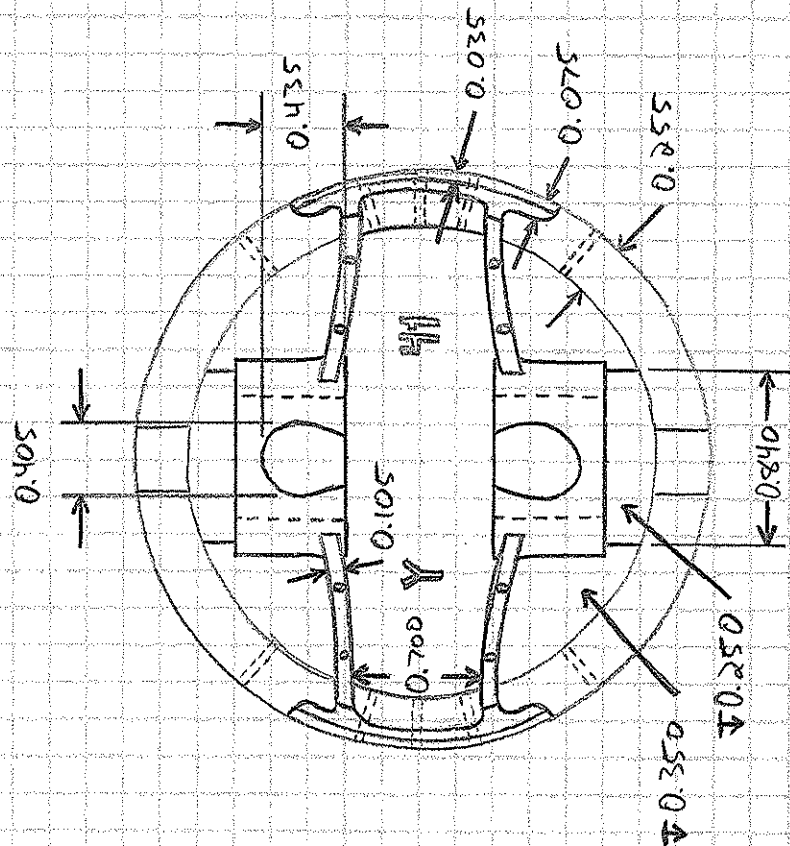
UNIVERSITY OF IDAHO ME DEPARTMENT

QTY: 1 SHEET 1 OF 2

PROPRIETARY AND CONFIDENTIAL

THE INFORMATION CONTAINED IN THIS DRAWING IS THE SOLE PROPERTY OF UNIVERSITY OF IDAHO. IT IS TO BE USED ONLY FOR THE PROJECT AND FOR WHICH THE PARTS NUMBER IS SPECIFIED.

Piston



Includes

DIMENSIONS ARE IN ~~INCHES~~ **MILLIMETERS**

THIRD ANGLE PROJECTION

DESCRIPTION: **2006 YZ250F Piston**

CHECKED BY: **Ben Reed** DATE: **5/1/10**

DESIGNED BY: **Zach Wainwright** DATE: **2/23/10**

FILE NAME: **2006YZ250F Piston**

DEFAULT TOLERANCES:

LINEAR: X ± .25

ANGULAR: XX ± 1

XXX ± .01

XXXX ± .002

PROPRIETARY AND CONFIDENTIAL
 THE INFORMATION CONTAINED IN THIS DRAWING IS THE SOLE PROPERTY OF UNIVERSITY OF IDAHO. IT IS TO BE USED ONLY FOR THE SPECIFIC PROJECT AND AS A REFERENCE WITH THE DESIGNER'S PERMISSION. UNAUTHORIZED REPRODUCTION OR DISSEMINATION OF INFORMATION OF IDAHO ME RELEASED UNDER THE FOIA.

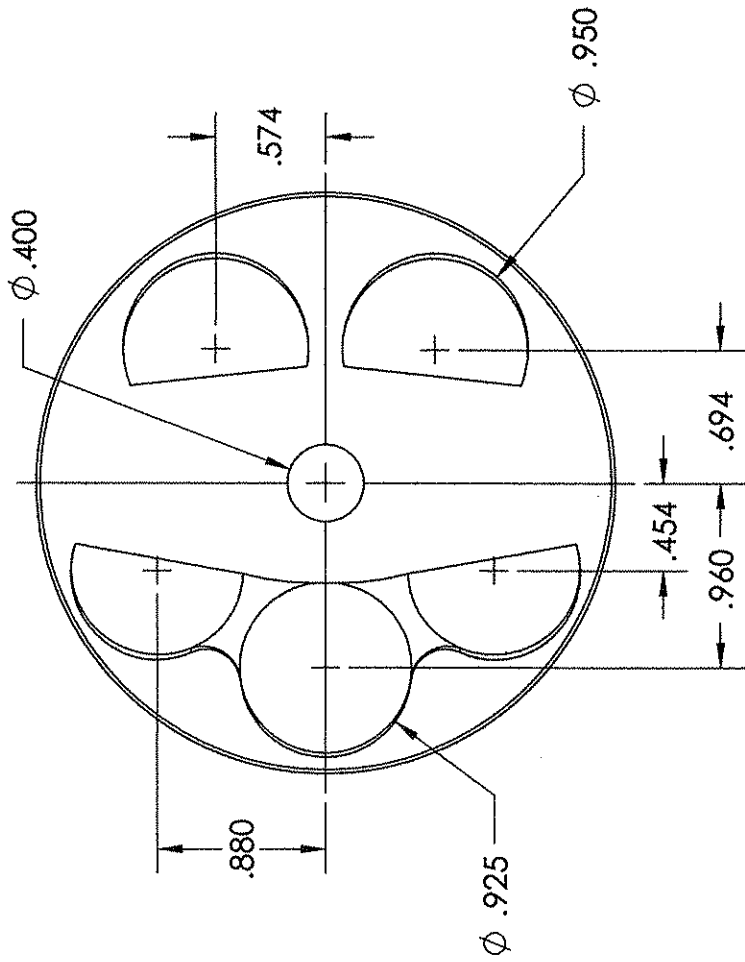
Piston

UNIVERSITY OF IDAHO
 ME DEPARTMENT

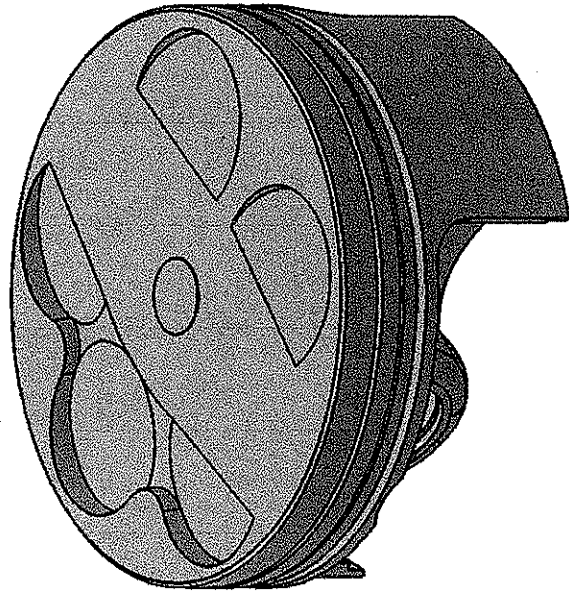
Part #: **1-01** QTY: **1**

Scale: **1:1**

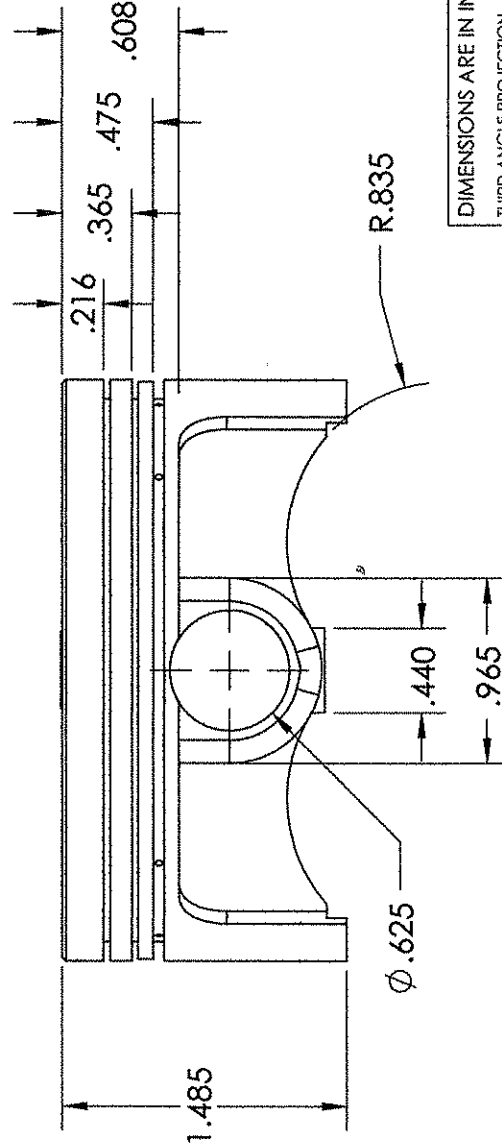
SHEET **1** OF **2**



Top View



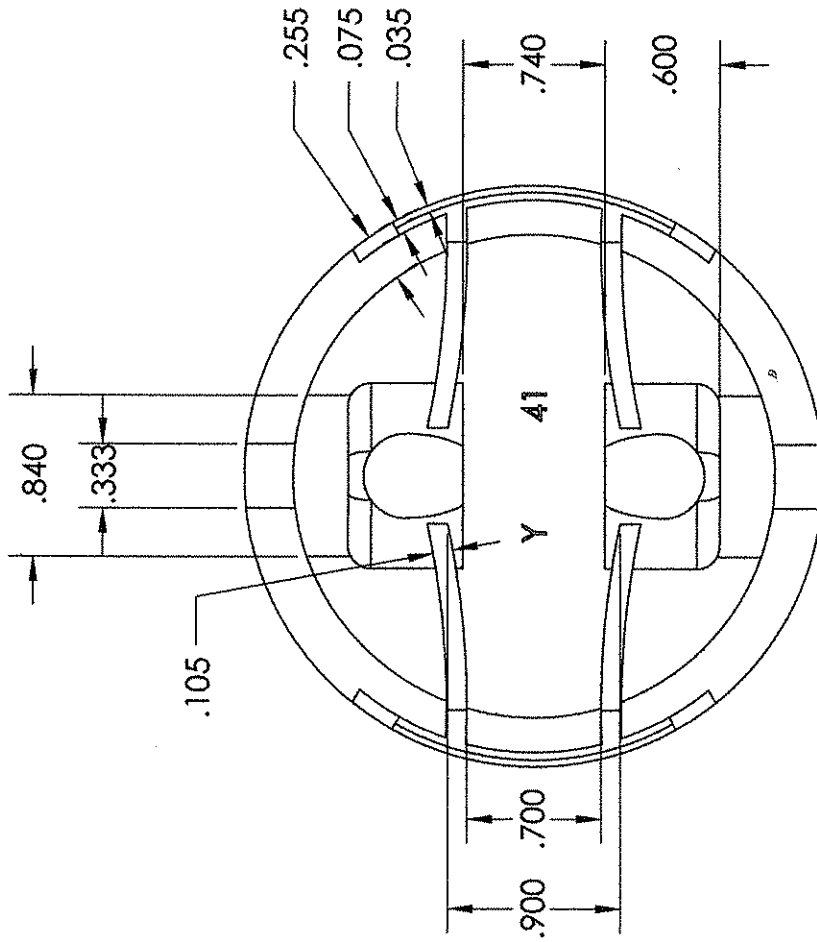
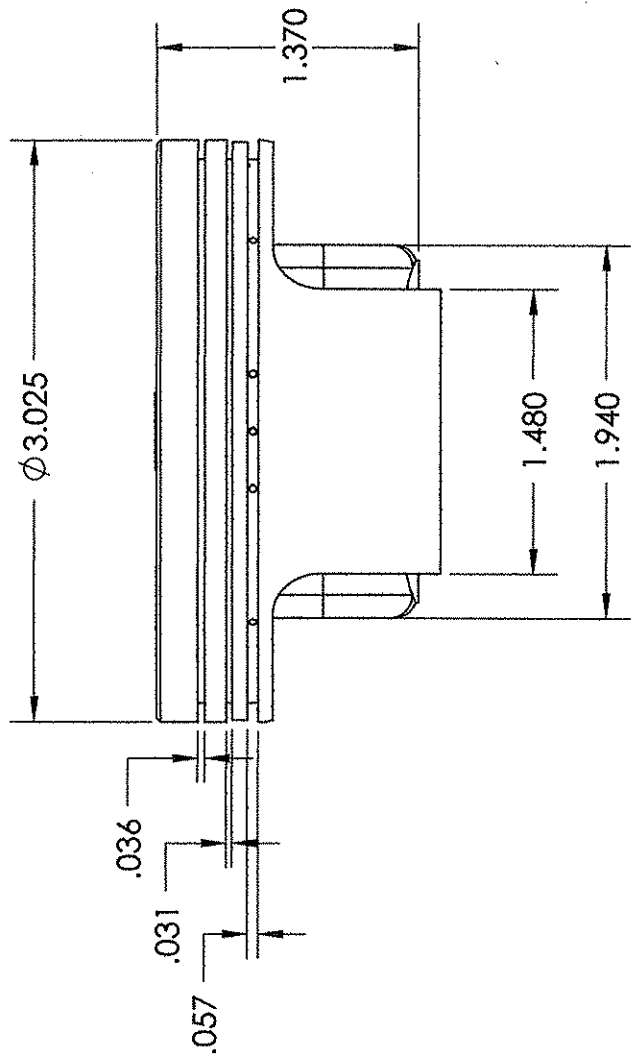
Isometric View



Front View

DIMENSIONS ARE IN INCHES		6061 Alloy		2006 YZ250F Piston	
THIRD ANGLE PROJECTION		DESCRIPTION: OEM Yamaha Part No. 5NL-11631-20-00		UNIVERSITY OF IDAHO ME DEPARTMENT	
DEFAULT TOLERANCES:		CHECKED BY: Ben Reed		Part #: 1-01	
LINEAR: X ± .25 XX ± .1 XXX ± .0		DATE: 3/4/2010		QTY: 1	
ANGULAR: X ± 2 XX ± 1 XXX ± 0.30		DRAWN BY: Zack Wuttrich		Scale: 1:1	
SURFACE: X/.75 ± .002		DATE: 3/4/2010		SHEET 1 OF 3	
PROHIBITED:		FILE NAME: 2006 YZ250F Piston		CAD Application SolidWorks	

PROPRIETARY AND CONFIDENTIAL
THE INFORMATION CONTAINED IN THIS DRAWING IS THE SOLE PROPERTY OF UNIVERSITY OF IDAHO ME DEPARTMENT. ANY REPRODUCTION IN PART OR WHOLE WITHOUT THE WRITTEN PERMISSION OF UNIVERSITY OF IDAHO ME DEPARTMENT IS PROHIBITED.



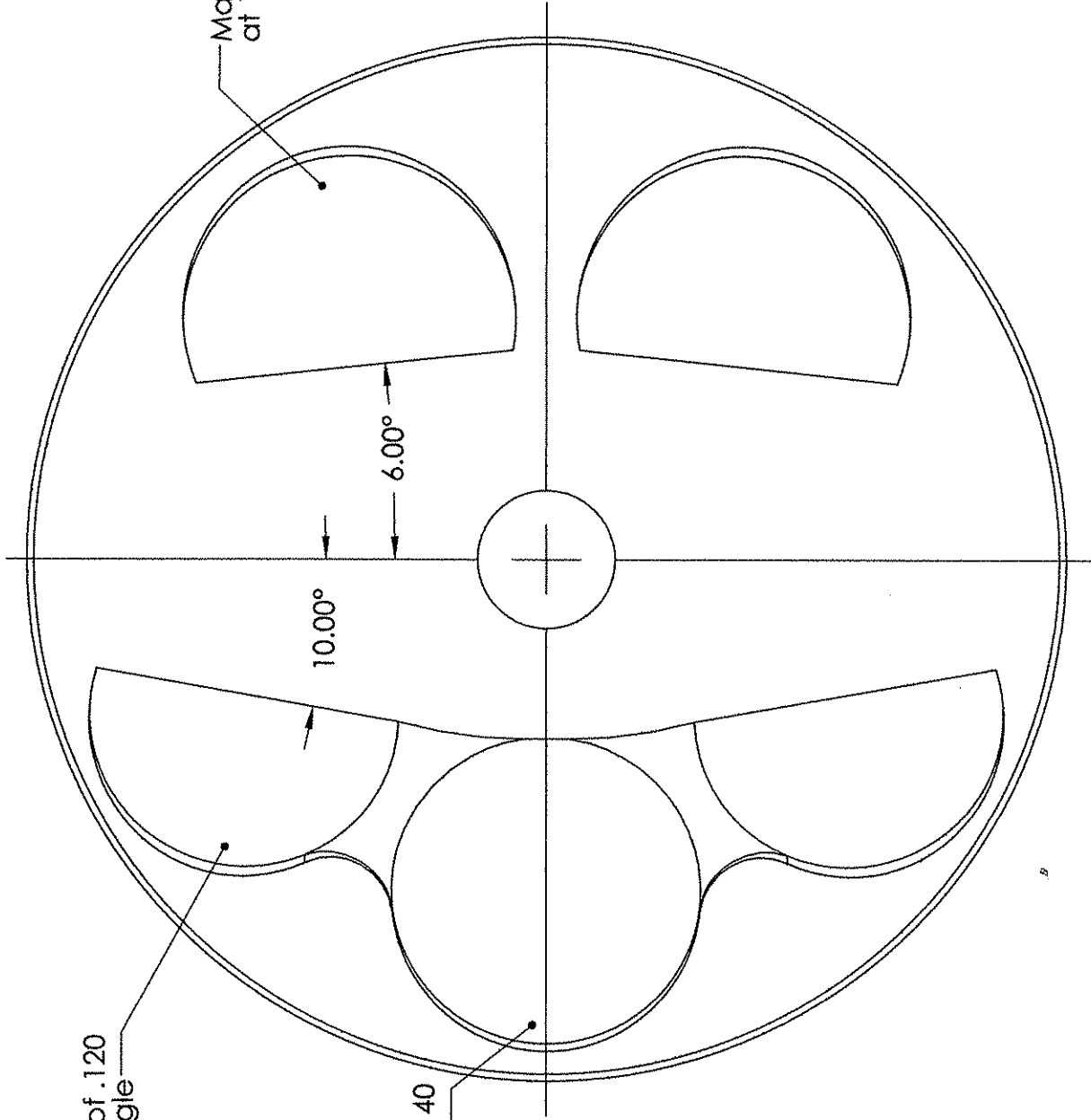
DIMENSIONS ARE IN INCHES		6061 Alloy <small>Material:</small>		2006 YZ250F Piston	
THIRD ANGLE PROJECTION		OEM Yamaha Part No. 5N1-11631-20-00		UNIVERSITY OF IDAHO ME DEPARTMENT	
DEFAULT TOLERANCES:		DESCRIPTION: 3/4/2010		Part #: 1-01	
LINEAR: X ± .25 XX ± .1 XXX ± 0.001		CHECKED BY: Ben Reed		QTY: 1	
ANGULAR: XX ± 1 XXX ± 0.30° 7/7X ± .002		DRAWN BY: Zack Wuthrich		Scale: 1:1	
PROPRIETARY AND CONFIDENTIAL		FILE NAME: 2006 YZ250F Piston		SHEET 2 OF 3	

PROPRIETARY AND CONFIDENTIAL
 THE INFORMATION CONTAINED IN THIS DRAWING IS THE SOLE PROPERTY OF UNIVERSITY OF IDAHO. NO PART OF THIS DRAWING IS TO BE REPRODUCED OR TRANSMITTED IN ANY FORM OR BY ANY MEANS WITHOUT THE WRITTEN PERMISSION OF UNIVERSITY OF IDAHO. THE DEPARTMENT IS PROHIBITED.

Machine to depth of .120
at 13.54 degree angle

Machine to depth of .140
at 9.00 degree angle

Machine to depth of .130
at 12.00 degree angle



DIMENSIONS ARE IN INCHES		6061 Alloy		2006 YZ250F Piston	
THIRD ANGLE PROJECTION		OEM Yamaha Part No. 5NL-11631-20-00		UNIVERSITY OF IDAHO ME DEPARTMENT	
DEFAULT TOLERANCES:		UNLESS:		Part #: 1-01	
ANGULAR:		X ± .25		Scale: 2:1	
X ± .1		X ± .1		QTY: 1	
X ± .01		X ± .01		SHEET 3 OF 3	
XXX ± 0.30		7/7X ± .02			
CREATED BY: Ben Reed		DATE: 3/4/2010			
CHECKED BY: Zack Wutrich		DATE: 3/4/2010			
FILE NAME: 2006 YZ250F Piston		CNC OPERATION			
		DRAWING			

PROPRIETARY AND CONFIDENTIAL
THE INFORMATION CONTAINED IN THIS DRAWING IS THE SOLE PROPERTY OF UNIVERSITY OF IDAHO. IT IS TO BE USED FOR THE MANUFACTURE OF A SINGLE PART WITHOUT THE WRITTEN PERMISSION OF UNIVERSITY OF IDAHO. THE DEPARTMENT IS PROHIBITED.