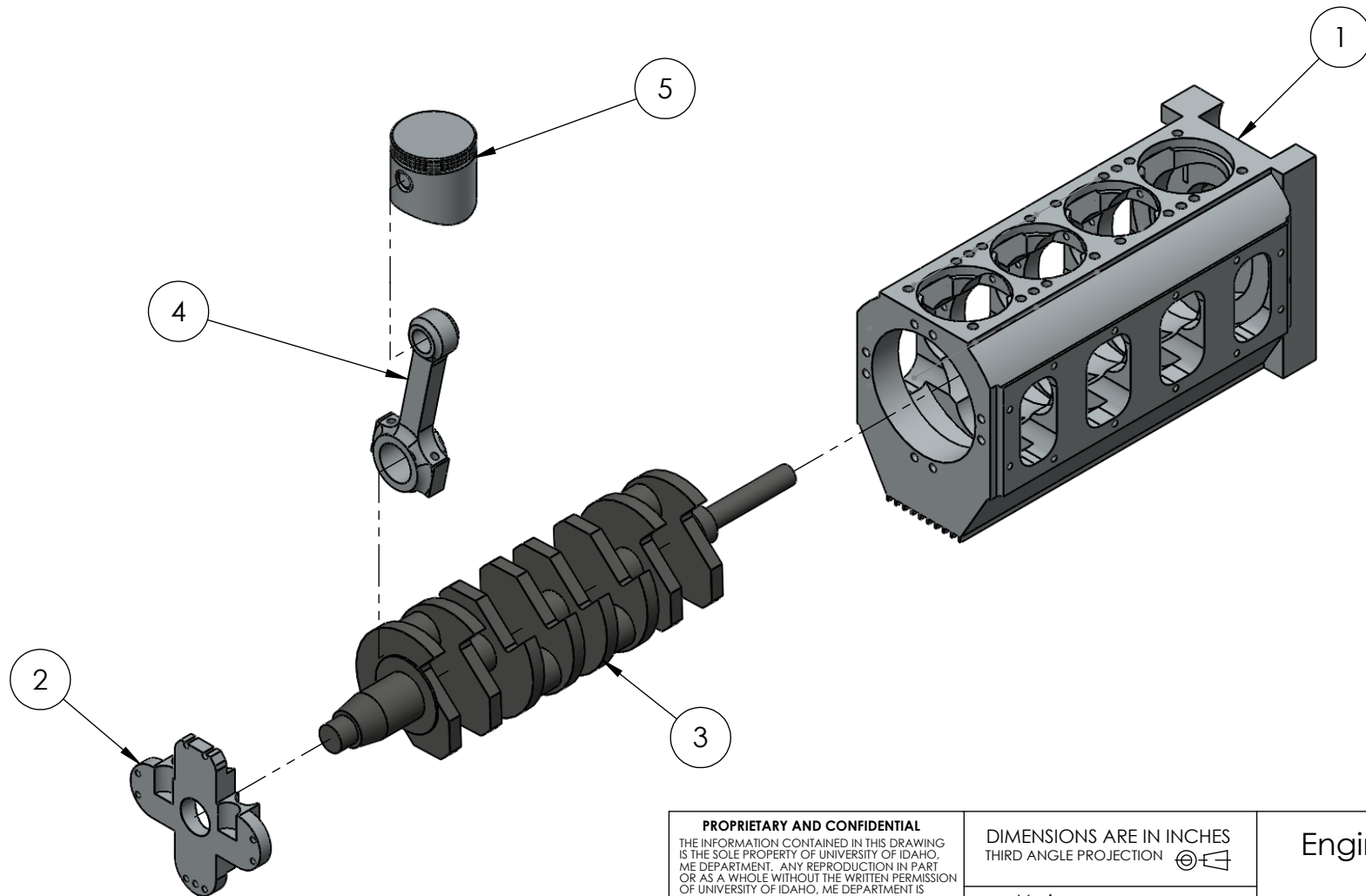


ITEM NO.	PART NUMBER	DESCRIPTION	QTY.	Sheet
1	01-01	Crankcase	1	2
2	01-02	Main Bearing Webs	1	3
3	01-03	Crank Shaft	1	4
4	01-04	Connecting Rod	1	5
5	01-05	Piston Assembly	1	6



PROPRIETARY AND CONFIDENTIAL THE INFORMATION CONTAINED IN THIS DRAWING IS THE SOLE PROPERTY OF UNIVERSITY OF IDAHO, ME DEPARTMENT. ANY REPRODUCTION IN PART OR AS A WHOLE WITHOUT THE WRITTEN PERMISSION OF UNIVERSITY OF IDAHO, ME DEPARTMENT IS PROHIBITED.		DIMENSIONS ARE IN INCHES THIRD ANGLE PROJECTION		Engine Block	
DEFAULT TOLERANCES:		DESCRIPTION: Crankcase Assembly		MATERIAL: Various	
LINEAR:	ANGULAR:	CHECKED BY: XXXXXXXXXX	DATE: XX/XX/XX	UNIVERSITY OF IDAHO ME DEPARTMENT	
X. ± .25	X. ± 2	DRAWN BY: Nicholai Olson	DATE: 10/24/2011		
X.X ± .1	X.X ± 1	FILE NAME: Crank Case.SLDPRT	SCALE: 1:8	PART #: 01-00	QTY: 1
X.XX ± .01	X.XX ± 0.30			SHEET: 1 OF 1	
X.XXX ± .002					