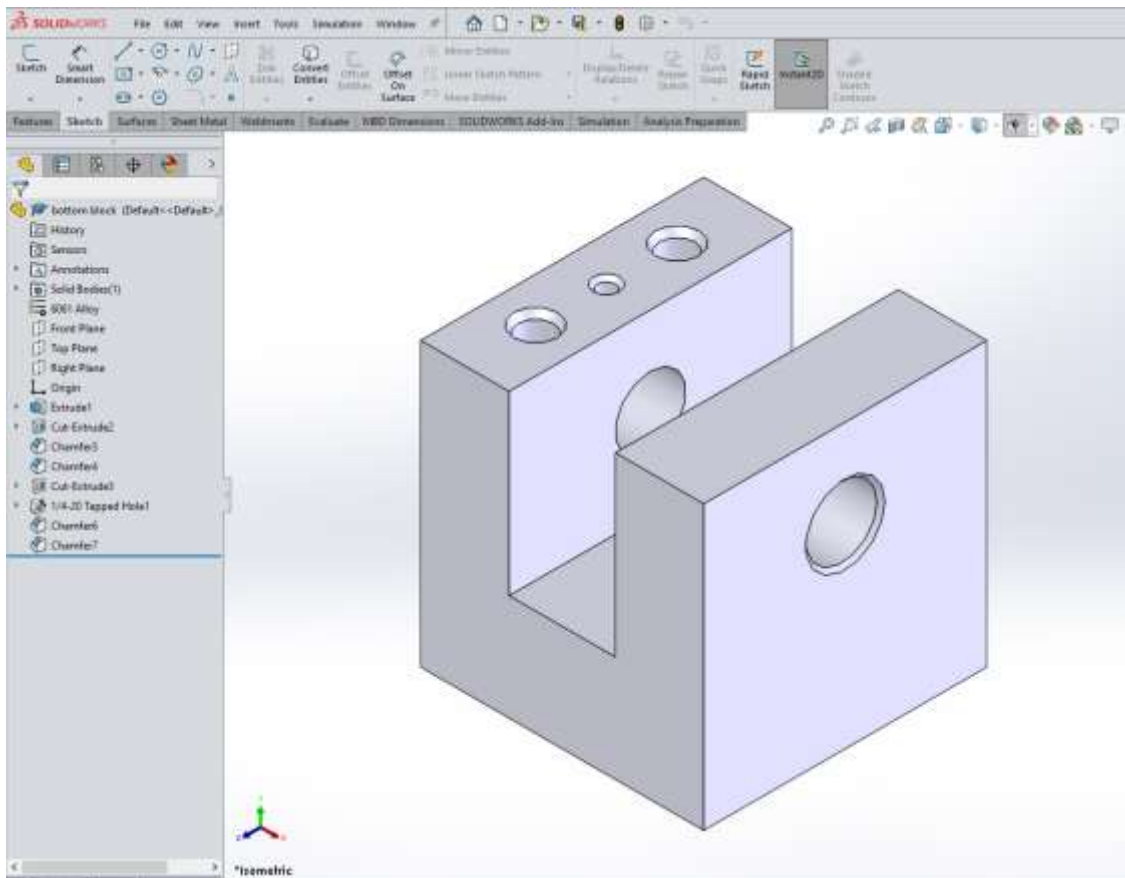



---

# SolidWorks Introduction Show and Tell



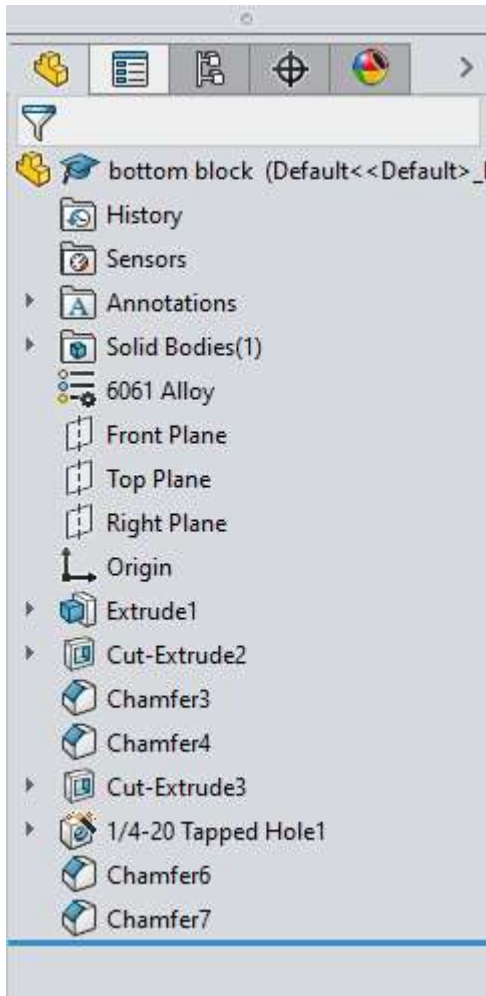
- Holding middle scroll button allows user to rotate part
- Scrolling in and out with the middle scroll wheel allows the user to zoom
- Holding the center scroll wheel and the right button allows the user to choose additional part manipulators such as pan, zoom fit, etc.

## View Hot Keys

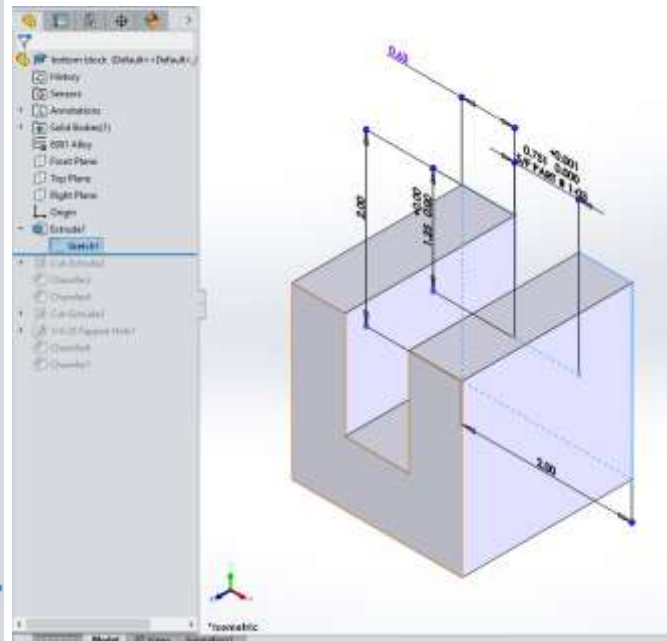
 Front	Ctrl+1
 Back	Ctrl+2
 Left	Ctrl+3
 Right	Ctrl+4
 Top	Ctrl+5
 Bottom	Ctrl+6
 Isometric	Ctrl+7
 Normal To	Ctrl+8

# SolidWorks Introduction Show and Tell

## Design Tree



- See how a part is created step by step
- Use the roll back bar to create additional steps/features.

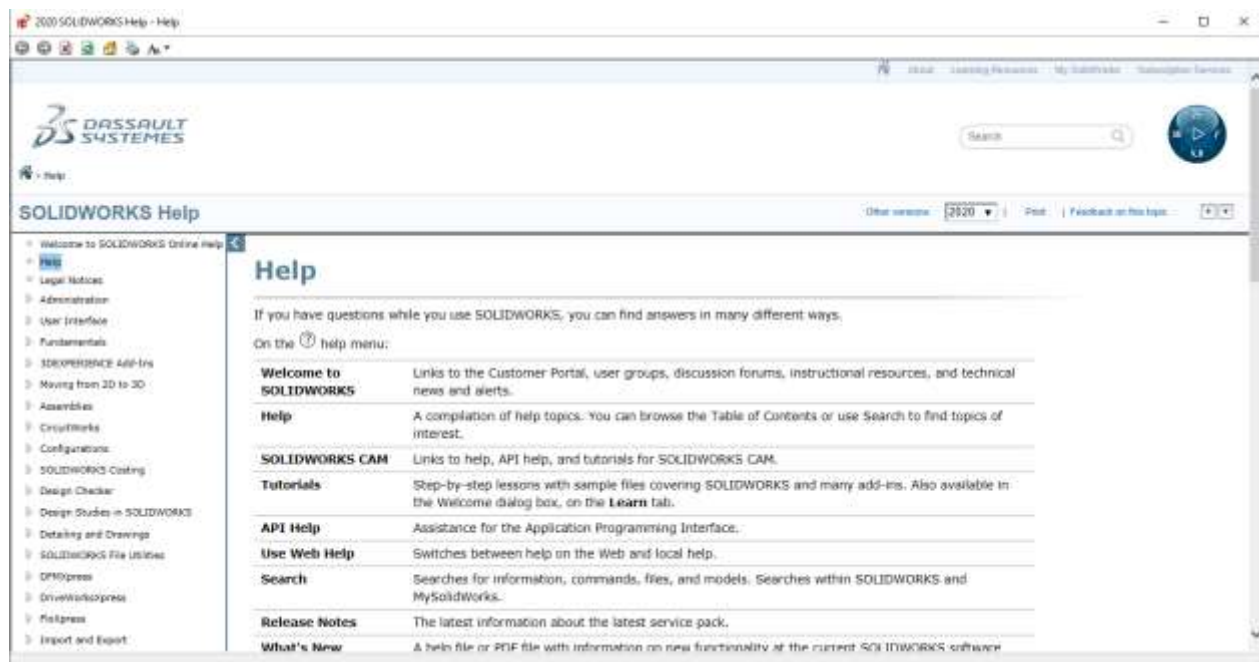


# SolidWorks Introduction Show and Tell

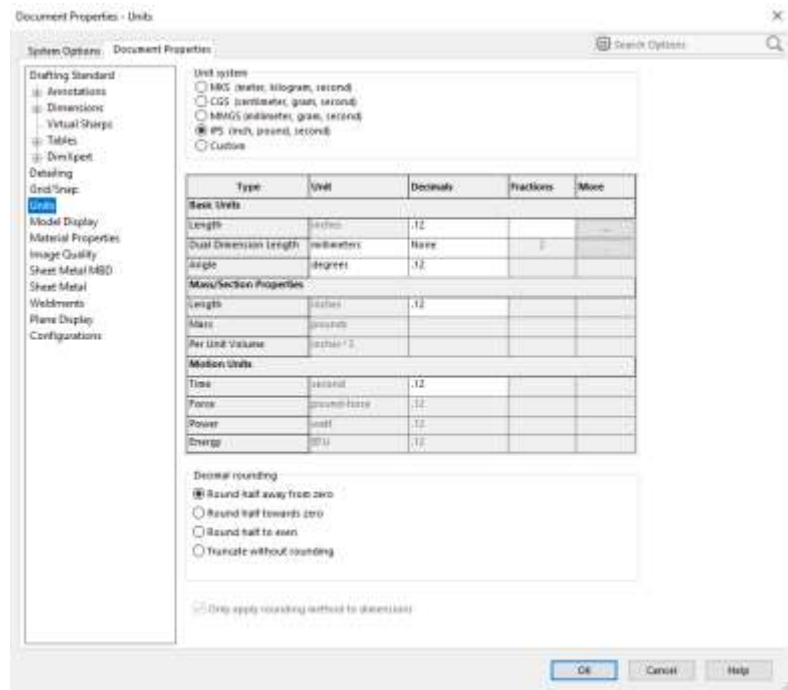
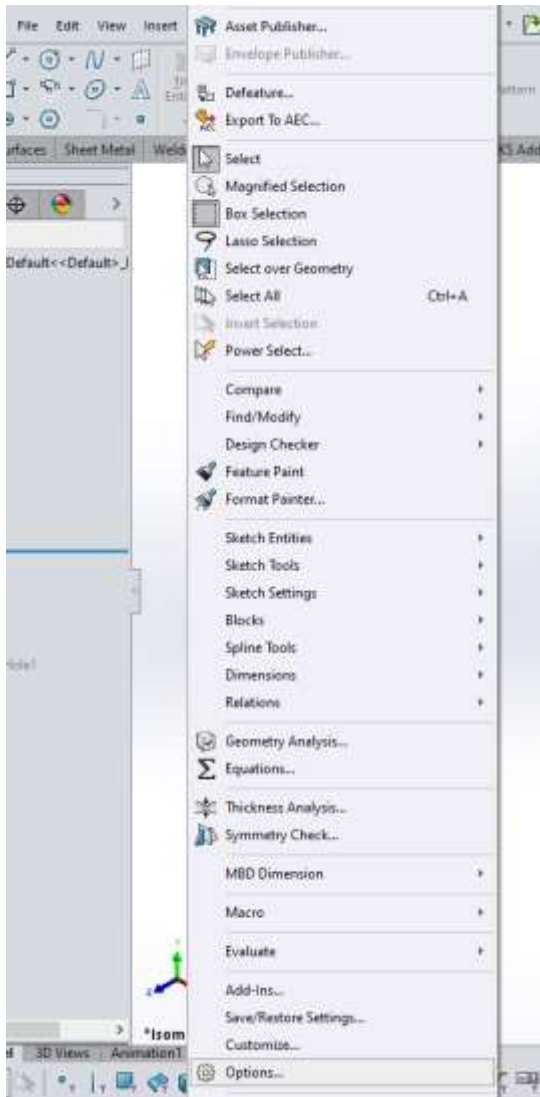
## Help Menu



- Under the help the user can find a basic search engine, the online tutorials, and other SolidWorks help files.



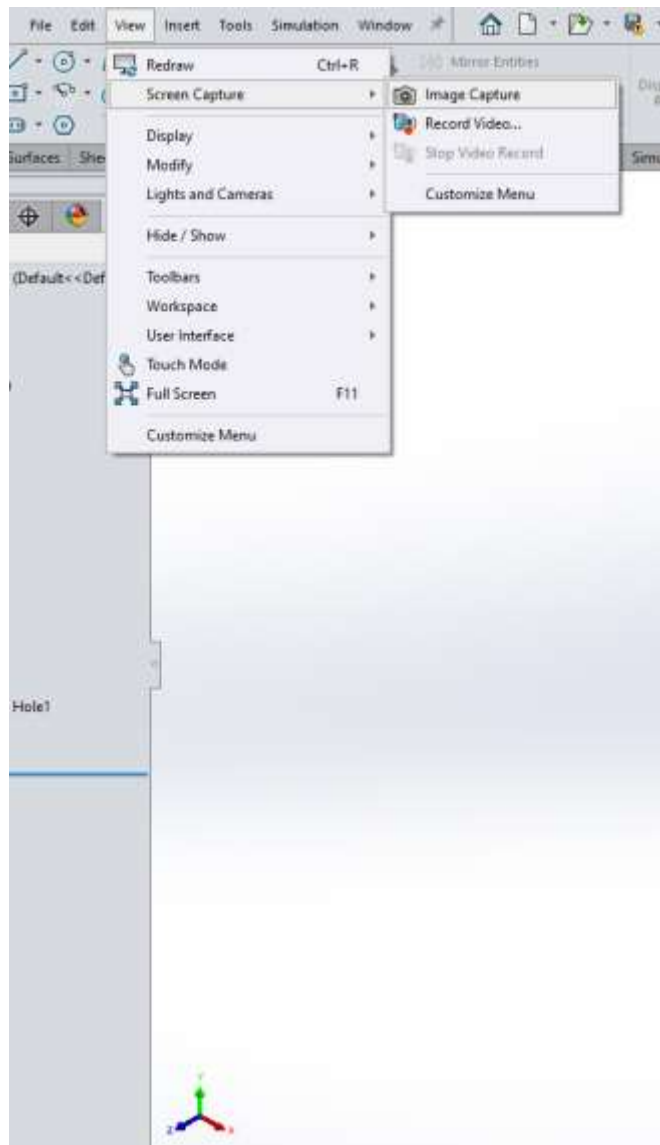
# SolidWorks Introduction Show and Tell



- Change system properties in **Tools**→**Options**
- Change the user interface under System Options (this stays the same if changed after SW closes)
- Under Document Properties change units, and document appearance (this only applies to the open document).
- All online tutorials are in metric, all projects are in English.

---

## SolidWorks Introduction Show and Tell



- Capture the design space with a screen capture under **View**→**Screen Capture**→**Image Capture**
- Print screen allows for the user to capture the entire program window, including the design tree.

**Recommended Method:** Use the Snipping Tool on Windows computers